

HORSEPOWER RATED

HEAVY CURRENT TIMING RELAY

LOW COST OPEN CONSTRUCTION

30 AMPERE, SPDT, 2 HP RATED

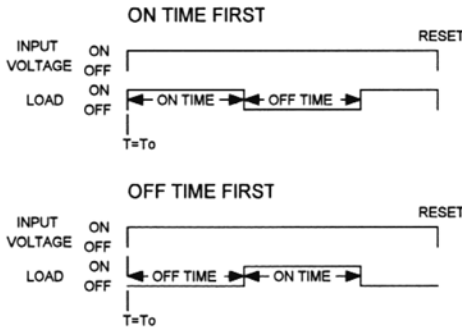
Series 685E – RECYCLE / FLASHER

- Environment Protected
- Sealed Relay
- No False Operate
- Switches 3600W@120V, 7200W@240V
- SPDT Relay Output
- Small Size – 3.625" x 2.125" x 1 9/16"
- Lightweight – approximately 3 oz.
- CMOS Digital Circuitry
- Transient Protected to 6000V
- 30 Amp Load Rating

Application of power simultaneously starts timing of the preset interval and turns the load ON. The load stays On for the preset On time then turns OFF for an equal length of time. The ON/OFF cycling of the load continues until power is turned OFF. Cycling can be specified as OFF/ON see below. Removal or interruption of power at any time during the cycle will cause the timer to reset.

Control the timing of high power electric heaters, HP rated motors, lamps, transformers and other high current loads rated less than 30 amps Resistive. CMOS digital circuitry is combined with high current output relay contacts. P/C board and components are covered with moisture resistant coating. Wiring terminals are ¼ quick connect. Available in all standard voltages and frequencies. Fixed or adjustable timing from .1 seconds to 24 hours.

TIMING DIAGRAM



845E – (T) (V) (P)

HOW TO ORDER 845ER (T) (V) (P)

SPECIFICATIONS

1. Repeat Accuracy: $\pm 0.25\%$
2. Combined Effect of Temperature and Voltage upon Repeat Accuracy: $\pm 2\%$ of Setting
3. Reset Time: 150 ms.
4. Operating Voltage Tolerance: $\pm 20\%$
5. Load Current: 30 Amps General Purpose at 120/240VAC or 28VDC
1 HP@120VAC, 2 HP@240VAC
6. Dielectric Strength: 1500 VRMS
7. Insulation Resistance: 100 Megohms Min.
8. Input Transient Protection: 3000V 120V UNITS, 6000V 240V UNITS
9. Temperature Ambients: Operating -40°C to +70°C Storage -55°C to +85°C
10. Humidity-Operating: 95% Relative
11. Linearity(Option A or D): $\pm 5\%$ Minimum from 10% to 90% of range
12. Timing Tolerance: $\pm 9\%$ + Tolerance of Rt Std., $\pm 5\%$ Special (Fixed)

SERIES	(T) = TIME RANGE	(V)=VOLTAGE	(P) = OPTIONS
845E ON FIRST	P = 0.1 - 5 SEC.	1 = 12VDC	O - CUSTOMER SUPPLIES OWN POTENTIOMETER OR RESISTOR A - POTENTIOMETER SUPPLIED AS LOOSE PART *C - FACTORY FIXED INTERNAL D - TRIMMER POTENTIOMETER INSTALLED ON TERMINALS
	1 = 0.1 - 10 SEC.	2 = 24VDC	
L = 0.2 - 20 SEC.	3 = 48VDC		
J = 0.3 - 30 SEC.	4 = 24VAC		
M = 0.6 - 60 SEC.	5 = 120VAC		
2 = 1 - 100 SEC.	6 = 240VAC		
K = 1.2 - 120 SEC.	7 = 110VDC		
F = 2 - 180 SEC.			
E = 3 - 300 SEC.			
3 = 10 - 1000 SEC.			
845ER OFF FIRST	4 = 0.1 - 10 MIN.		
	G = 0.3 - 30 MIN.		
	H = 0.6 - 60 MIN.		
	5 = 1 - 100 MIN.		
	Q = 2 - 180 MIN.		
	V = 3 - 300 MIN.		
	W = 4 - 360 MIN.		
	6 = 10 - 1000 MIN.		
D = 1 - 24 HRS.			

** For Fixed Time Specify The Value In Seconds, Minutes, Or Hours*

MADE IN USA

EXAMPLE P/N: 685E-15C/1S This is a RECYCLE/FLASHER 30A SPDT Rated Timer with a fixed 1 second On and OFF time(equivalent to 30 FPM). The INPUT VOLTAGE is 120 VAC. The cycle time is factory fixed.

American Control Products / Precision Timer
a division of Prime Technology
344 Twin Lakes Road
North Branford, CT 06471
Telephone: (203) 481-5721
Fax: (203) 481-8937
Email: sales@primetechnology.com
www.primetechnology.com



TECHNICAL BULLETIN

SOLID STATE TIMING MODULE

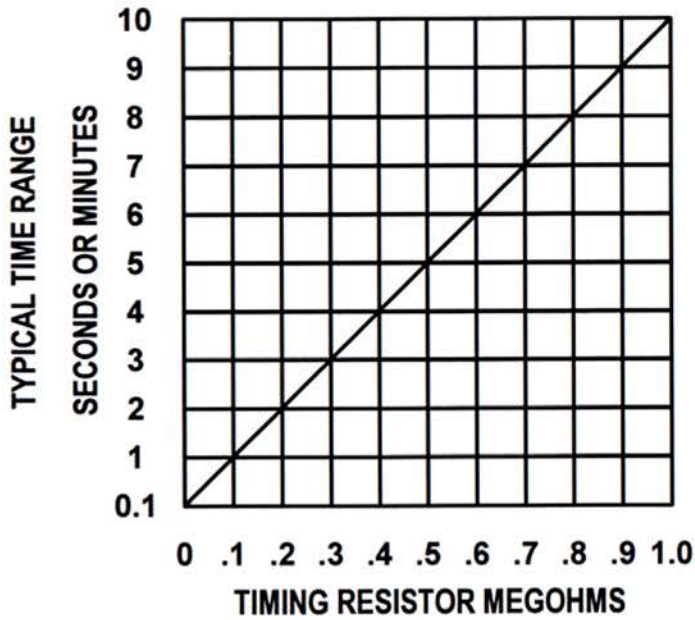
PAGE 1
OF 2

DATE
11-7-03

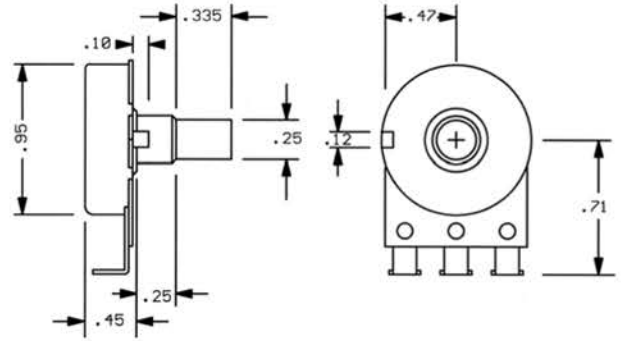
685E

REV
C

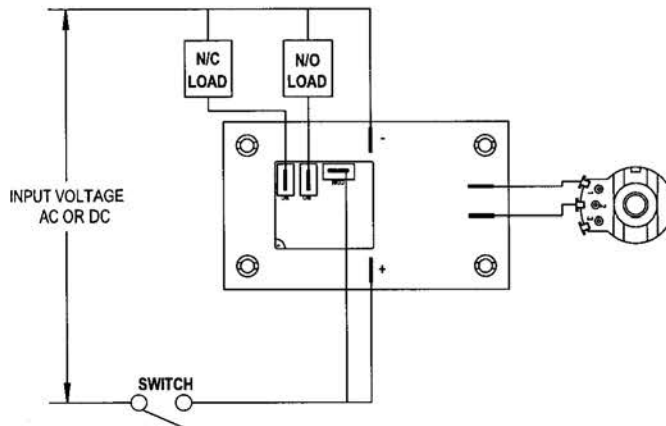
TYPICAL CALIBRATION RESISTANCE VS TIME



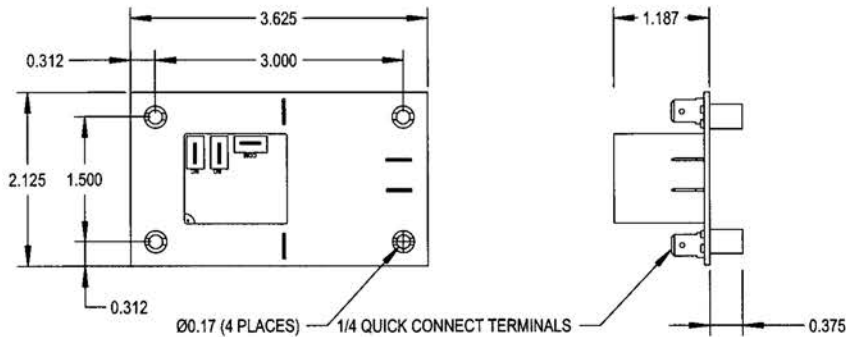
ACCESSORIES AVAILABLE FROM STOCK
CONTROL POTENTIOMETERS (OPTION A)
ORDER P/N PM-1M 1 MEGOHM ± 20%



TYPICAL WIRING



OUTLINE DRAWING



MADE IN USA

American Control Products / Precision Timer
 a division of Prime Technology
 344 Twin Lakes Road
 North Branford, CT 06471
 Telephone: (203) 481-5721
 Fax: (203) 481-8937
 Email: sales@primetechnology.com
 www.primetechnology.com

TECHNICAL BULLETIN

SOLID STATE TIMING MODULE

PAGE 2
 OF 2

DATE
 11-7-03

685E

REV

